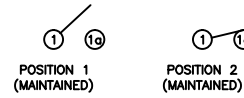


SCHEMATIC



SPECIFICATIONS

FUNCTION:
1P1T OFF-ON

RATINGS:
ANSI/UL 1054 and CAN/CSA C22.2 No. 55 (E194579):
15A 125VAC [UR, cUR]
10A 250VAC [UR, cUR]
1/3HP 125/250VAC [UR, cUR]

CONTACT RESISTANCE:
Initial: 35mΩ Max. at 50VAC

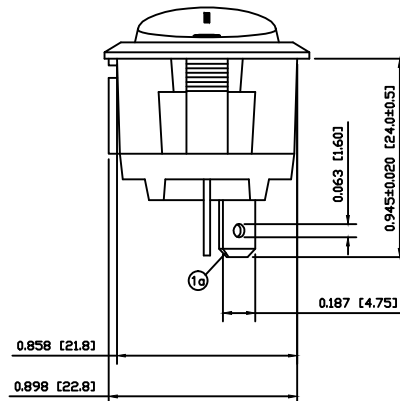
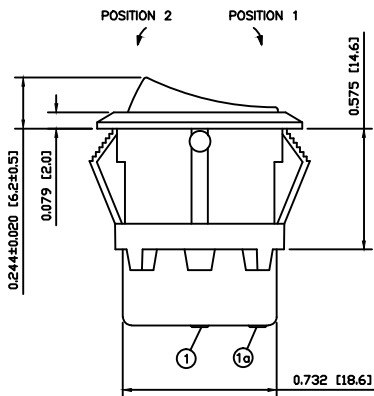
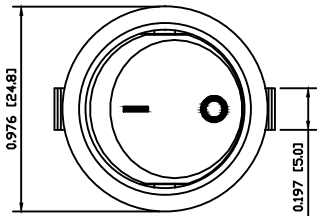
INSULATION RESISTANCE:
100MΩ Min. at 500VDC

DIELECTRIC STRENGTH:
1,500VAC For 1 Minute

ELECTRICAL LIFE:
6,000 Cycles [UR, cUR]

TEMPERATURE:
Operating: -20°C to 105°C [UR, cUR]

APPROVALS:



COLORS AND MARKINGS

BODY:
Black

ACTUATOR:
Red

MARKING:
I/O Vertical (1)

MARKING COLOR:
White

MATERIALS

BODY:
Polyamide 6/6 (PA66), UL94 V-2

ACTUATOR:
Polyamide 6/6 (PA66), UL94 V-2

SPRINGS:
Music Wire

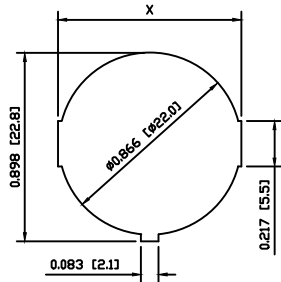
PLUNGER:
Polyamide 6/6 (PA66), UL94 V-2

MOBILE CONTACT:
Silver Plated Copper

CONTACTS:
Silver Alloy Clad Copper

TERMINALS:
Silver Plated Brass
Silver Plated Copper

SUGGESTED PANEL CUTOUT




| PANEL THICKNESS | X |
|-------------------------|--------------|
| 0.030~0.049 [0.75~1.25] | 0.874 [22.2] |
| 0.049~0.079 [1.25~2.00] | 0.882 [22.4] |
| 0.079~0.118 [2.00~3.00] | 0.890 [22.6] |

| | | | |
|----------------|------|----------|-----|
| ACTUATOR | A | 09/08/12 | CAB |
| BODY | - | 10/14/15 | MW |
| COLORS | - | - | - |
| MATERIALS | A | 09/08/12 | CAB |
| SPECIFICATIONS | A | 09/08/12 | CAB |
| REFERENCE | REV. | DATE | BY |

THE INFORMATION CONTAINED IN THIS DOCUMENT IS PROPRIETARY TO E-SWITCH-LAMB INDUSTRIES AND IS NOT TO BE COPIED OR TRANSFERRED

| | | | | |
|-----------------|------|-------|----------|----------|
| INITIAL RELEASE | A | 23141 | 12/20/17 | MW |
| DESCRIPTION | REV. | PCR | DATE | DRAWN BY |

| | |
|----------------------|------------|
| DIMENSIONS | |
| INCHES [MILLIMETERS] | |
| GENERAL TOLERANCES | |
| ±0.008 [±0.2] / ±1* | |
| SCALE | PROJECTION |
| DRAWING NOT TO SCALE | 1st Angle |



RRA11C1921

| | |
|----------------|------------|
| DRAWING NUMBER | DATE |
| 38-RRA11C1921 | 12/20/2017 |
| REVISION | A |